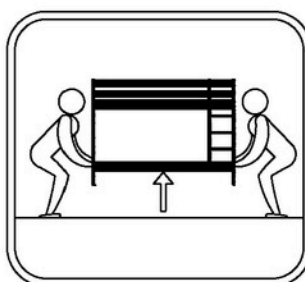
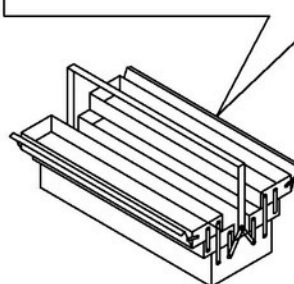
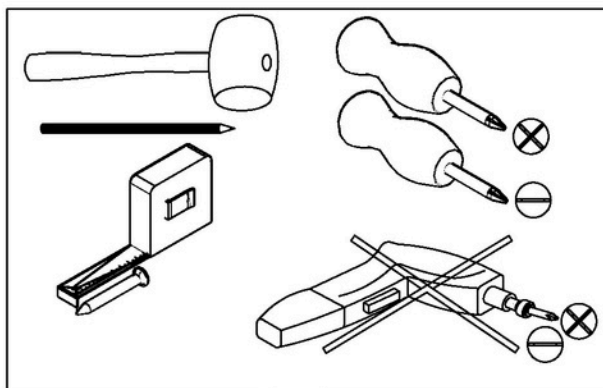
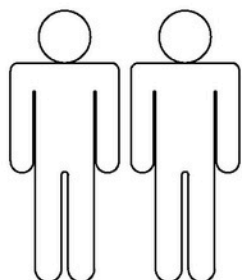
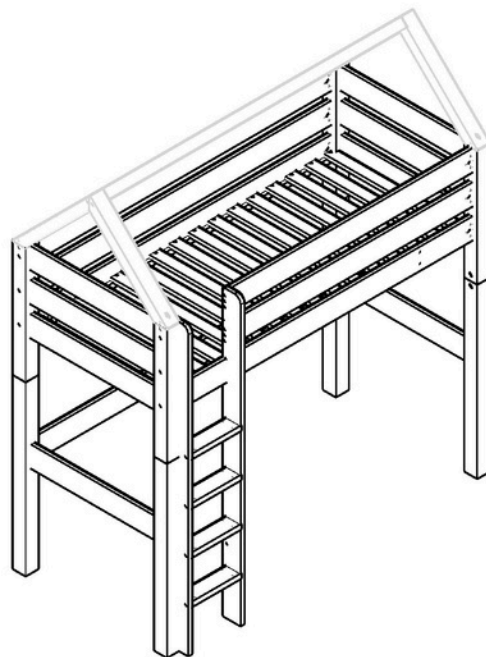
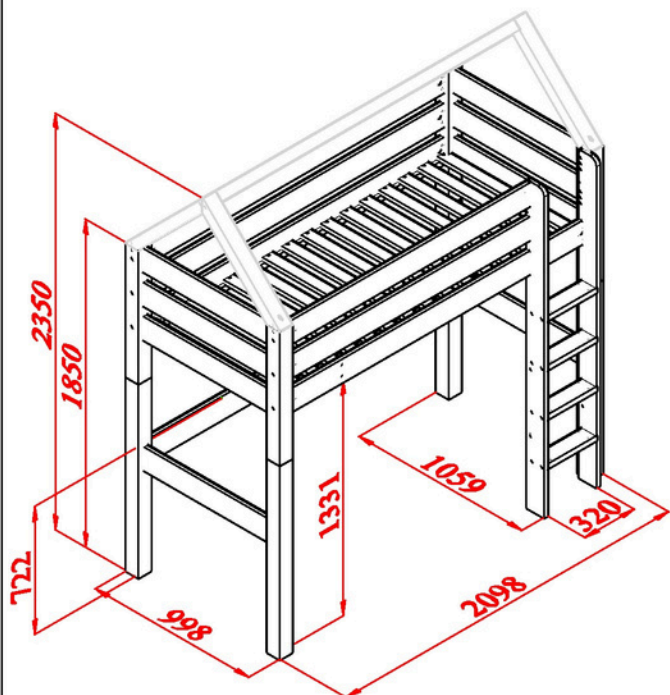
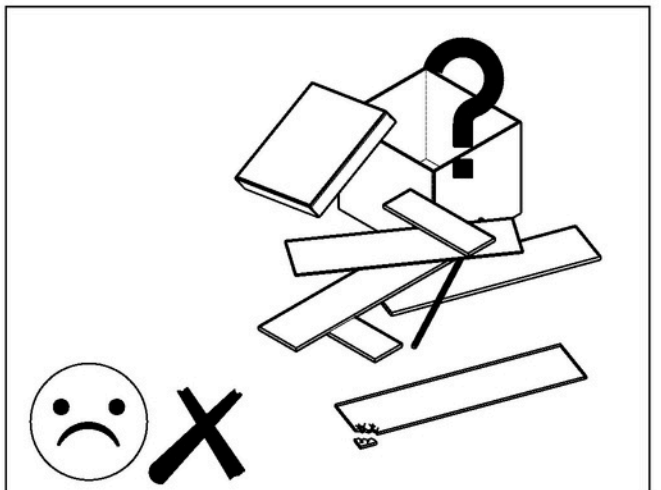
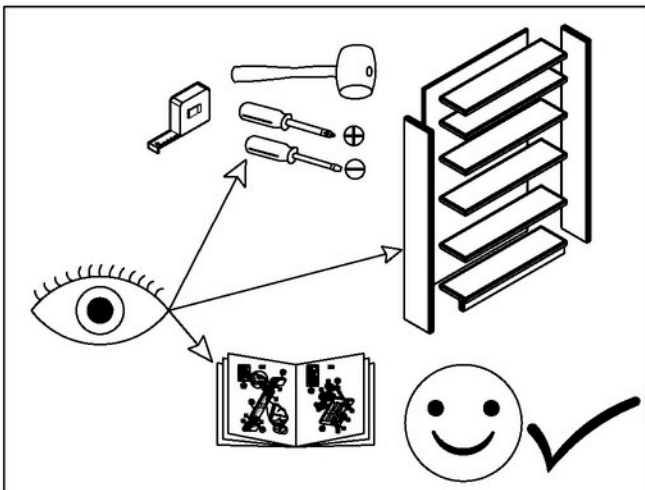
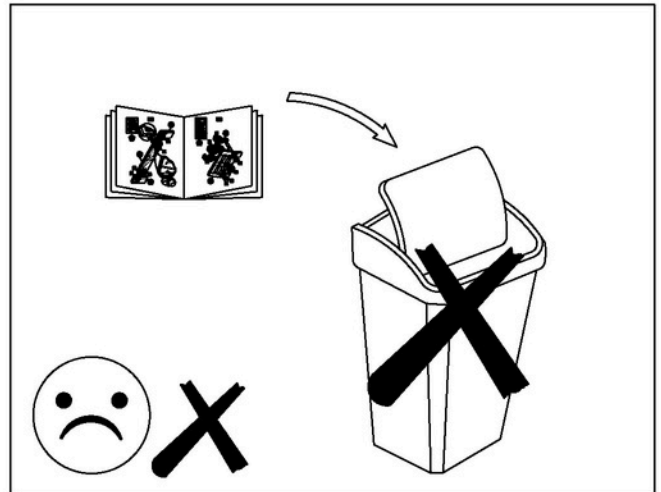
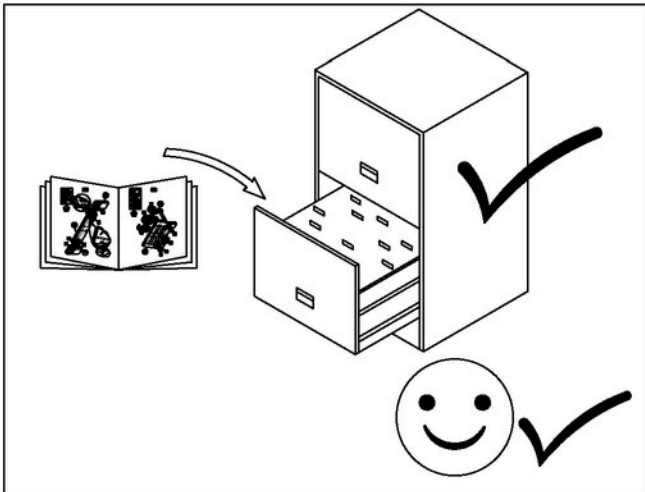
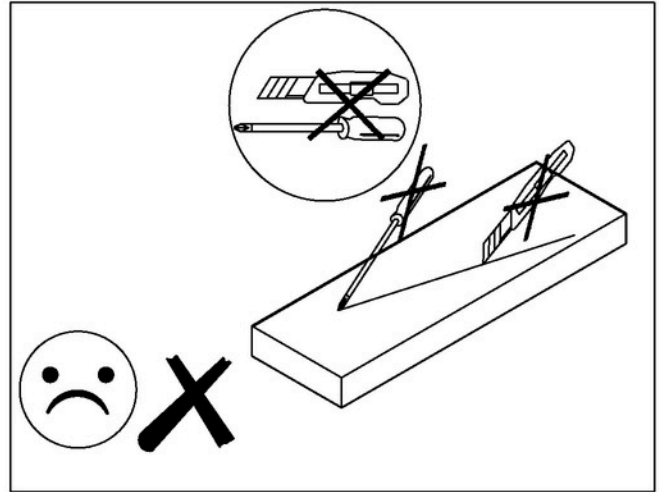
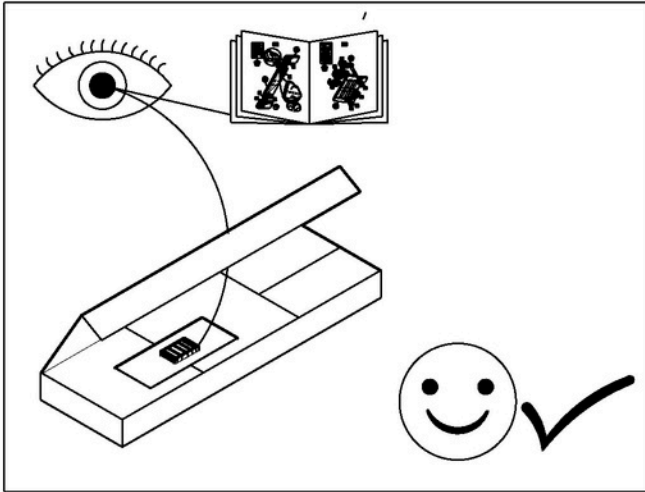
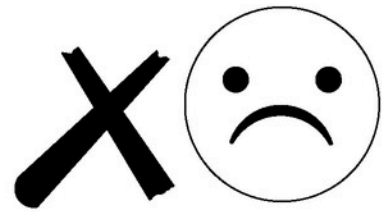
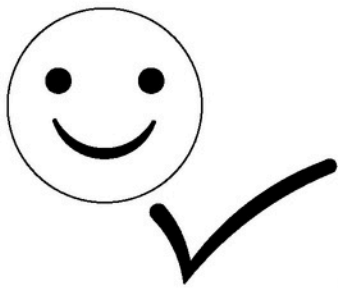
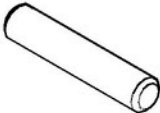

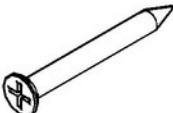
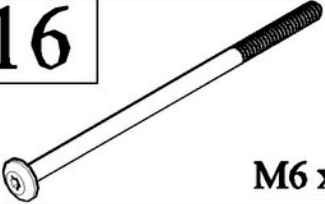
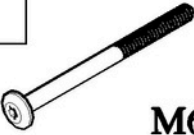


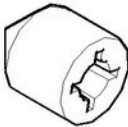

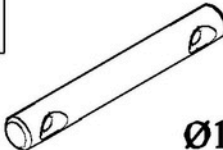
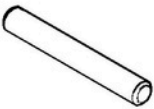

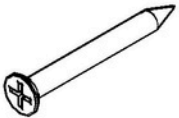

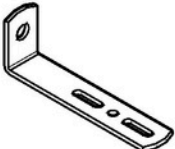
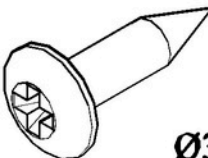
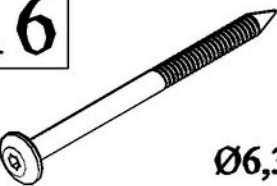
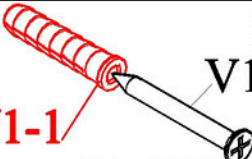
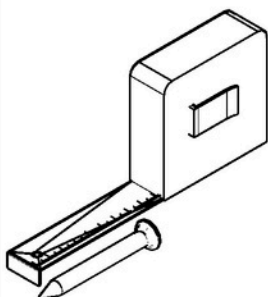


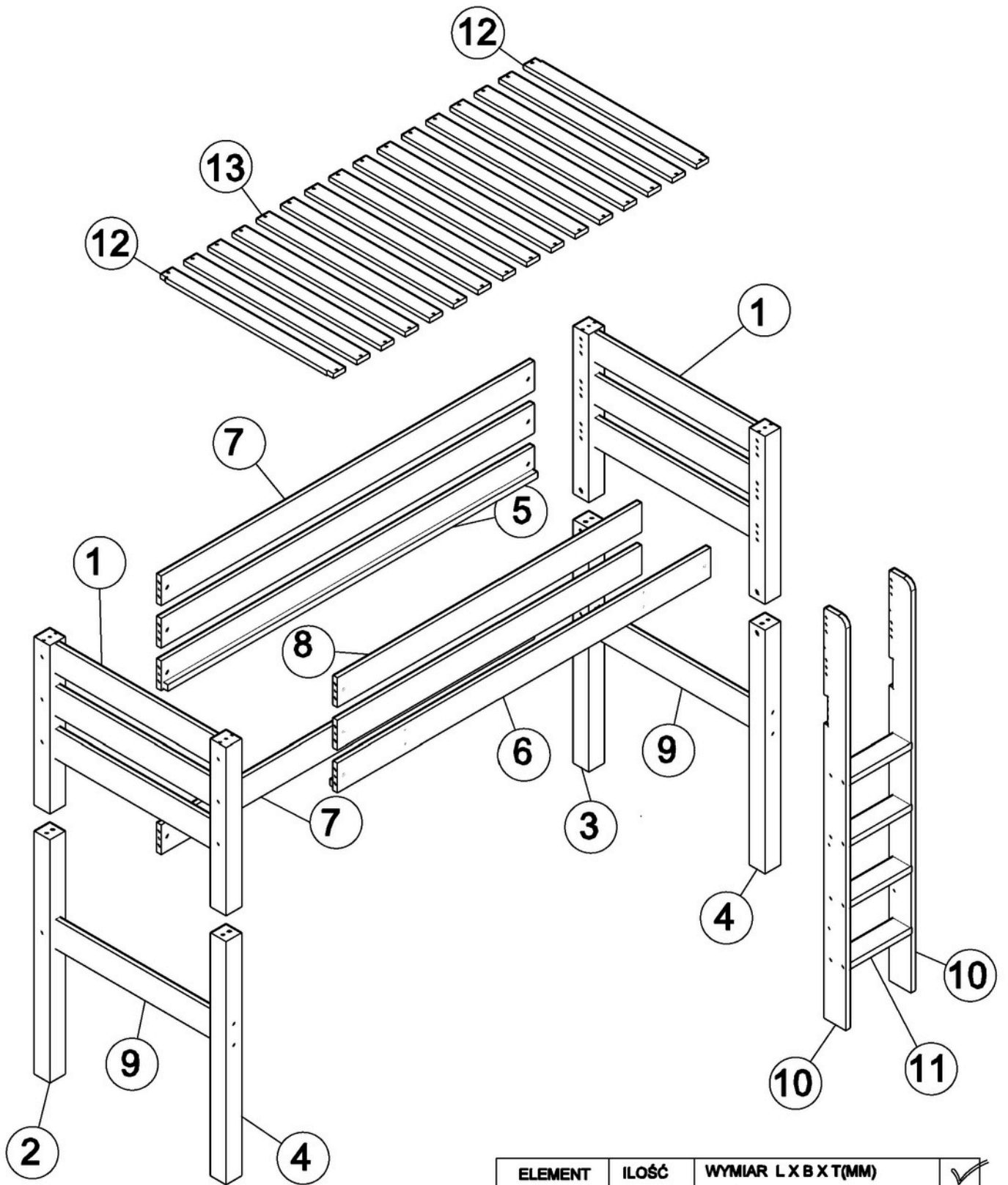
# MANASLU | MAKALU





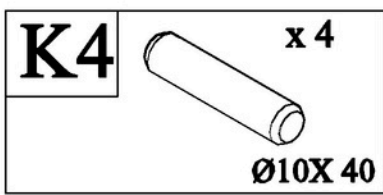
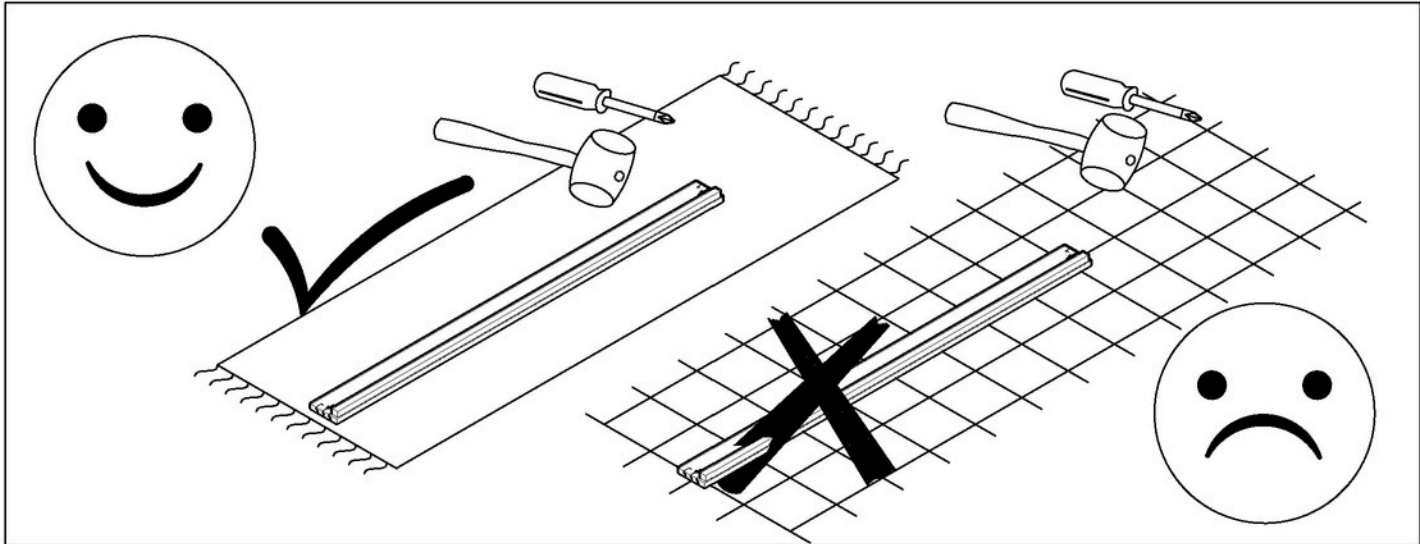
<b>K4</b>	x 24		$\text{Ø}10 \times 40$	<b>H4</b>	x 12		$\text{Ø}10 \times 13$
<b>S8</b>	x 4		$\text{Ø}4 \times 60$	<b>J16</b>	x 12		M6 x 120
<b>J13</b>	x 2		M6 X 93	<b>H7</b>	x 2		M6/Ø8 x 15
<b>M3</b>	x 8		$\text{Ø}16 \times 19$	<b>M5</b>	x 8		M10 x 13
<b>F2</b>	x 1		HEX 4 mm	<b>H5</b>	x 4		$\text{Ø}10 \times 80$
<b>K9</b>	x 4		$\text{Ø}8 \times 60$	<b>C3</b>	x 20		$\text{Ø}7 \times 50$
<b>S5</b>	x 32		$\text{Ø}3,5 \times 30$	<b>X1</b>	x 2		63,5x25x25
<b>B2</b>	x 2		75 x 25 x 15	<b>S3</b>	x 2		$\text{Ø}3,5 \times 16$
<b>S16</b>	x 8		$\text{Ø}6,3 \times 110$	<b>V1</b>	x 2		V1-1/ V1-2 $\text{Ø}8 \times 40 / \text{Ø}4 \times 50$





ELEMENT	ILOŚĆ	WYMIAR L X B X T(MM)	✓	ELEMENT	ILOŚĆ	WYMIAR L X B X T(MM)	✓
1	2	998 X 755 X 78/20		7	3	1942 X 130 X 20	
2	1	1095 X 78 X 78		8	2	1542 X 130 X 20	
3	1	1095 X 78 X 78		9	2	842 X 130 X 20	
4	2	1095 X 78 X 78		10	2	1850 X 110 X 20	
5	1	1942 X 130 X 20		11	4	320 X 90 X 25	
6	1	1942 X 130 X 20		12	2	898 X 63 X 17	
				13	14	898 X 63 X 17	

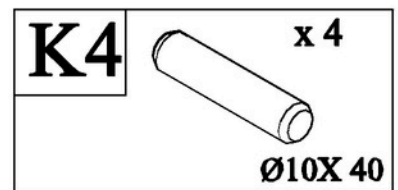




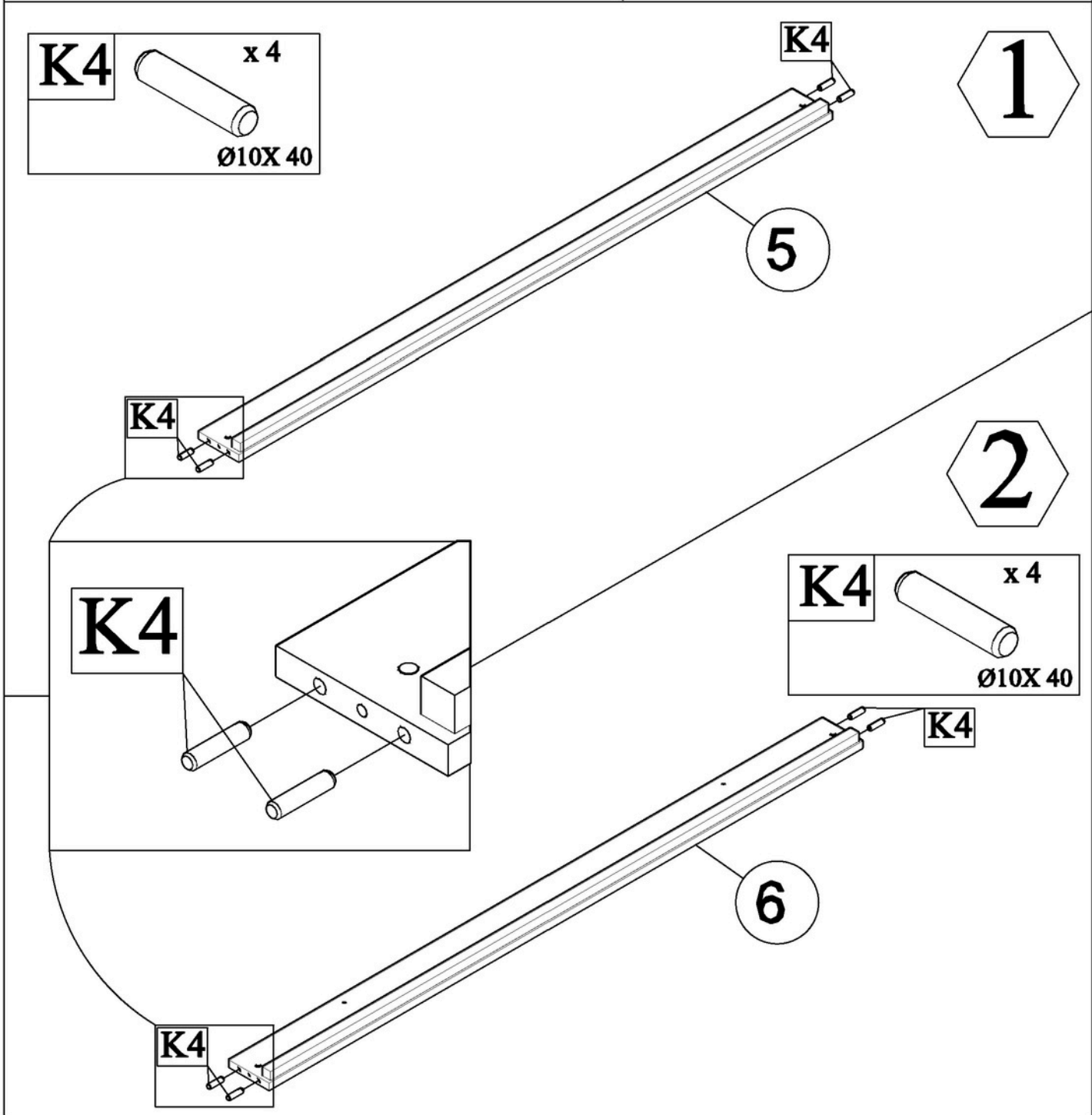
1

5

2

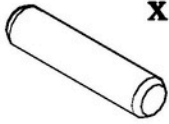


6



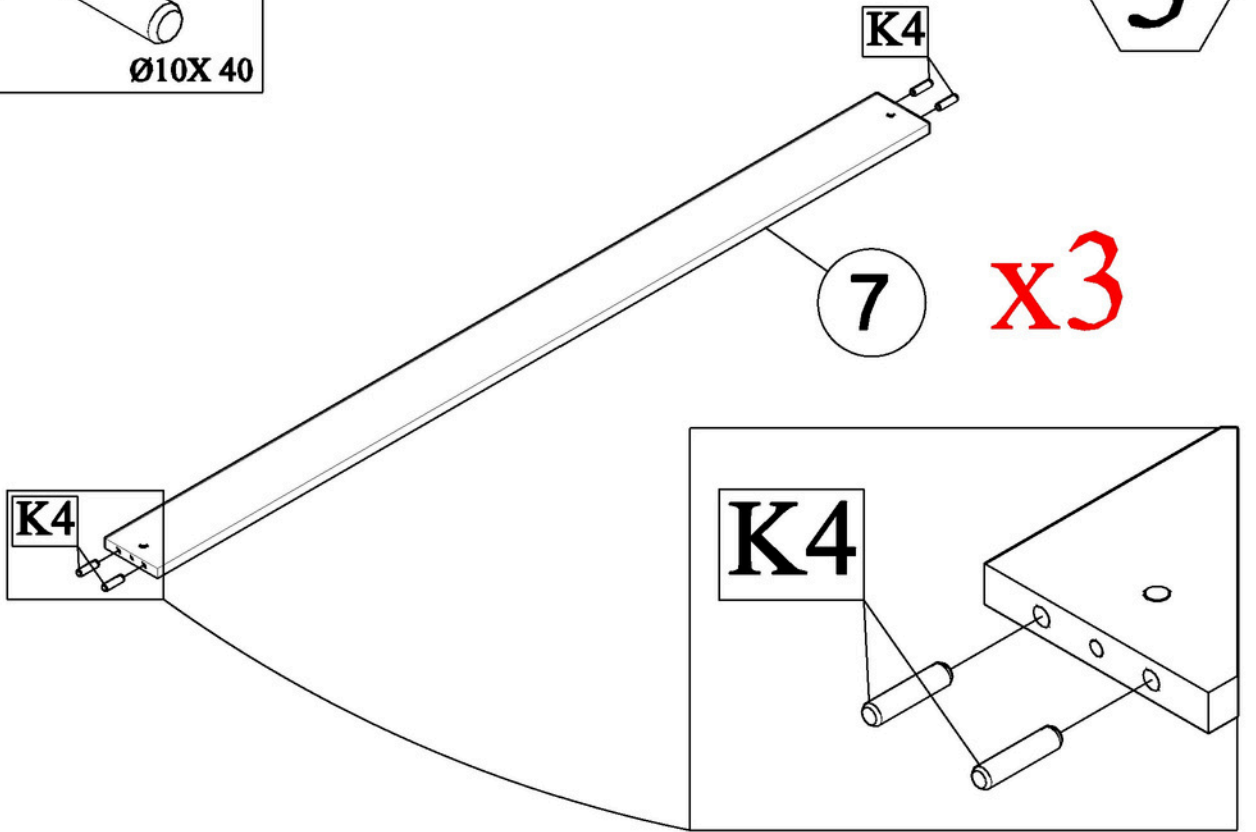
**K4**

x 12



Ø10X 40

3

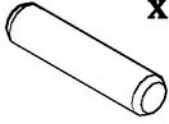


7

x3

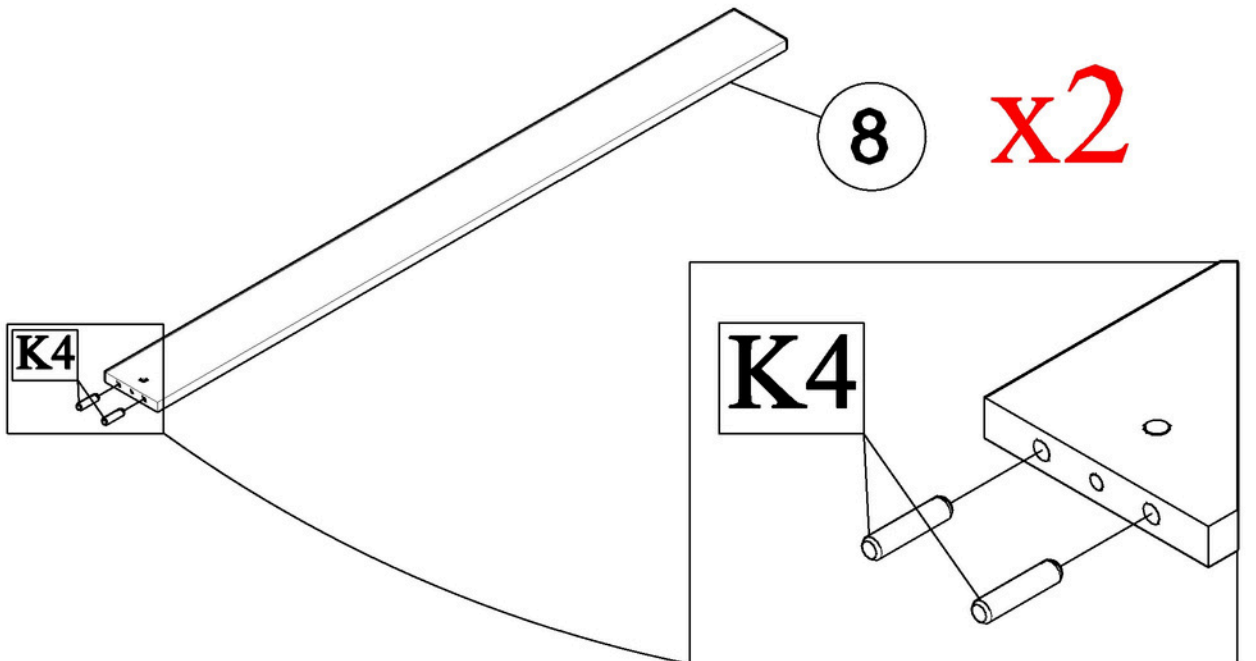
**K4**

x 4



Ø10X 40

4



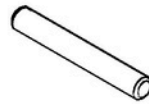
8

x2

5

K9

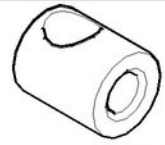
x 1



Ø8 x 60

M3

x 1

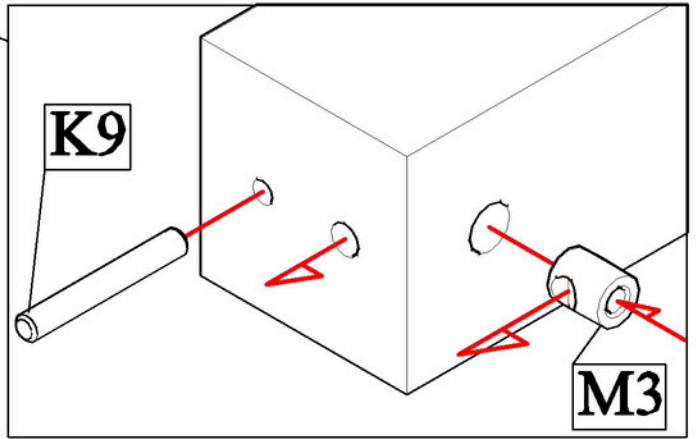


Ø16x 19

K9

M3

2



M3

x 1



Ø16x 19

K9

x 1



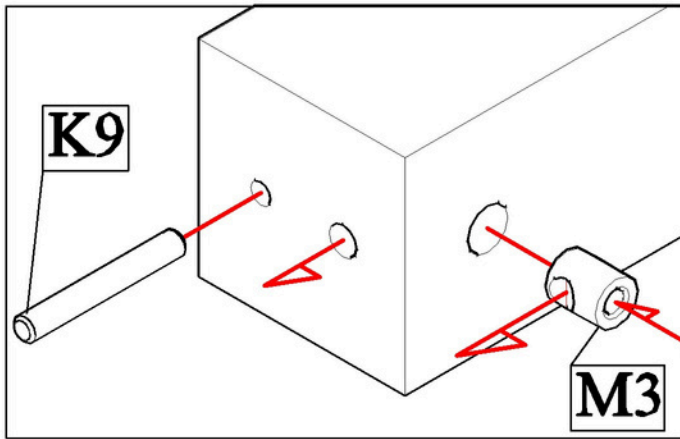
Ø8 x 60

6

K9

M3

3



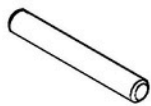
M3



x 2

Ø16x 19

K9



x 2

Ø8 x 60

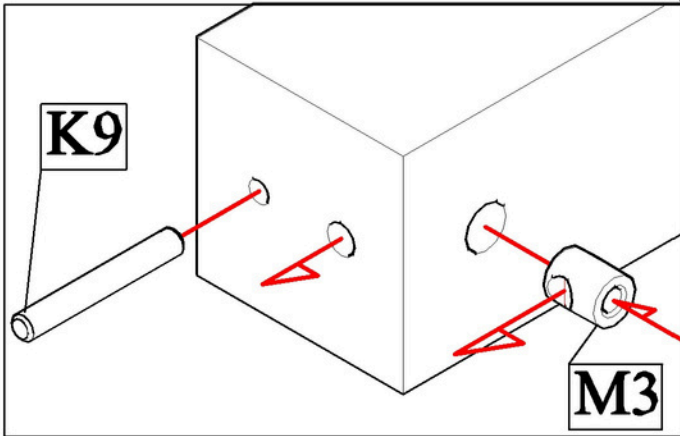
7

K9

M3

x2

4



8

M5

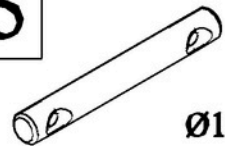
x 1



M10 x 13

H5

x 1

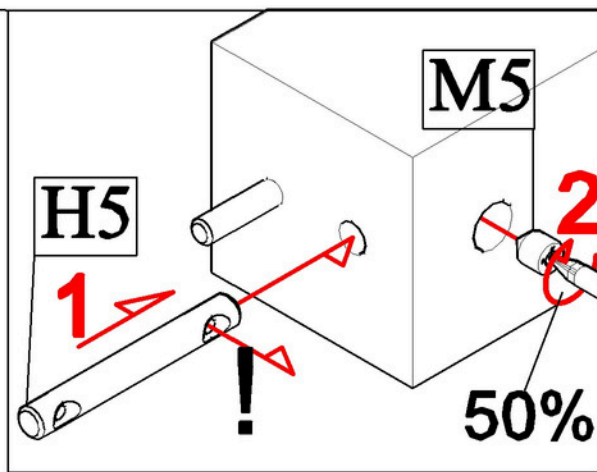


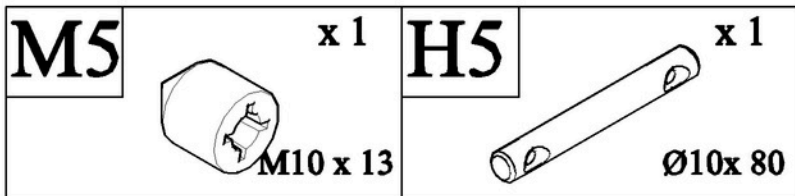
Ø10x 80

H5

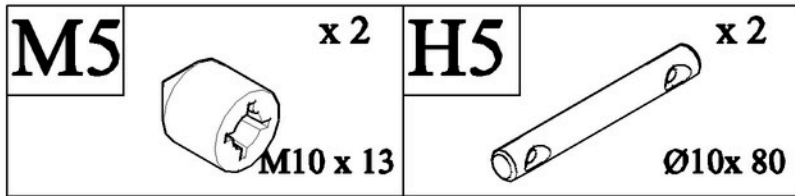
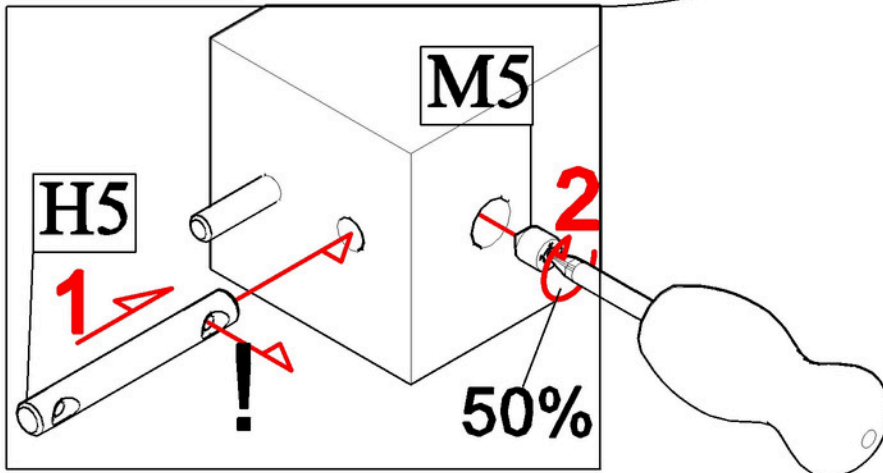
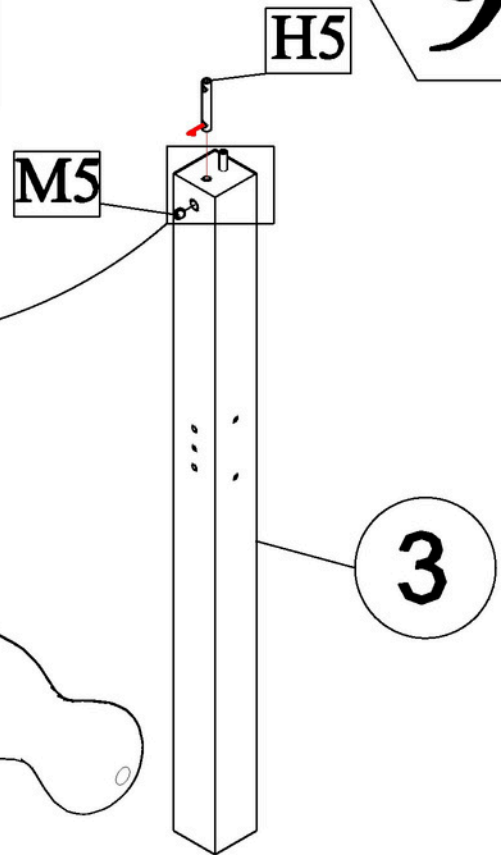
M5

2

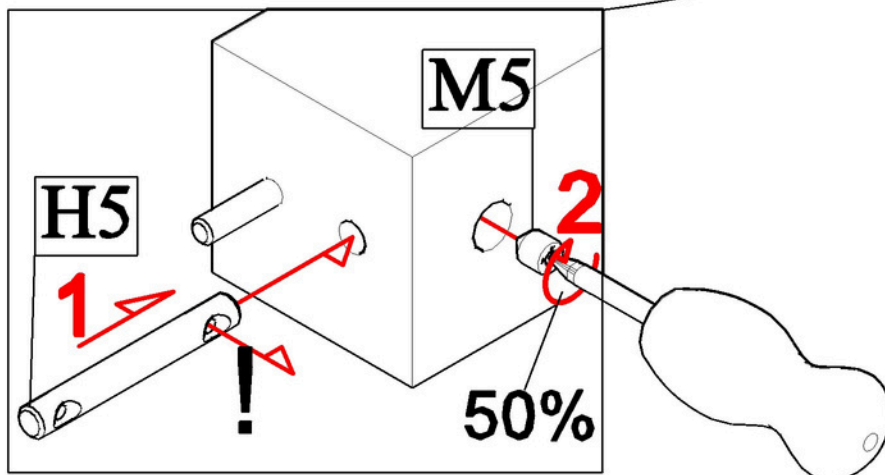
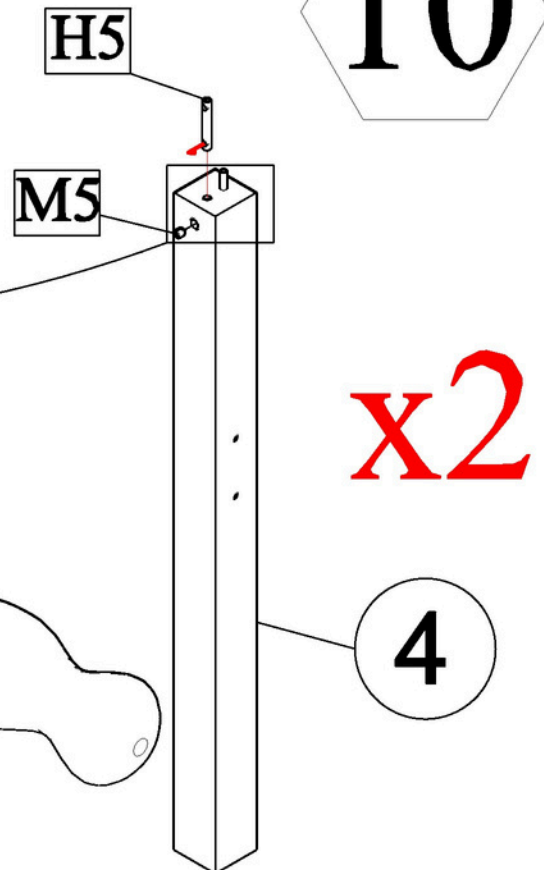







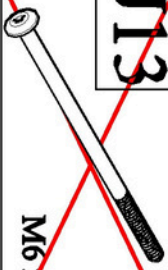
9

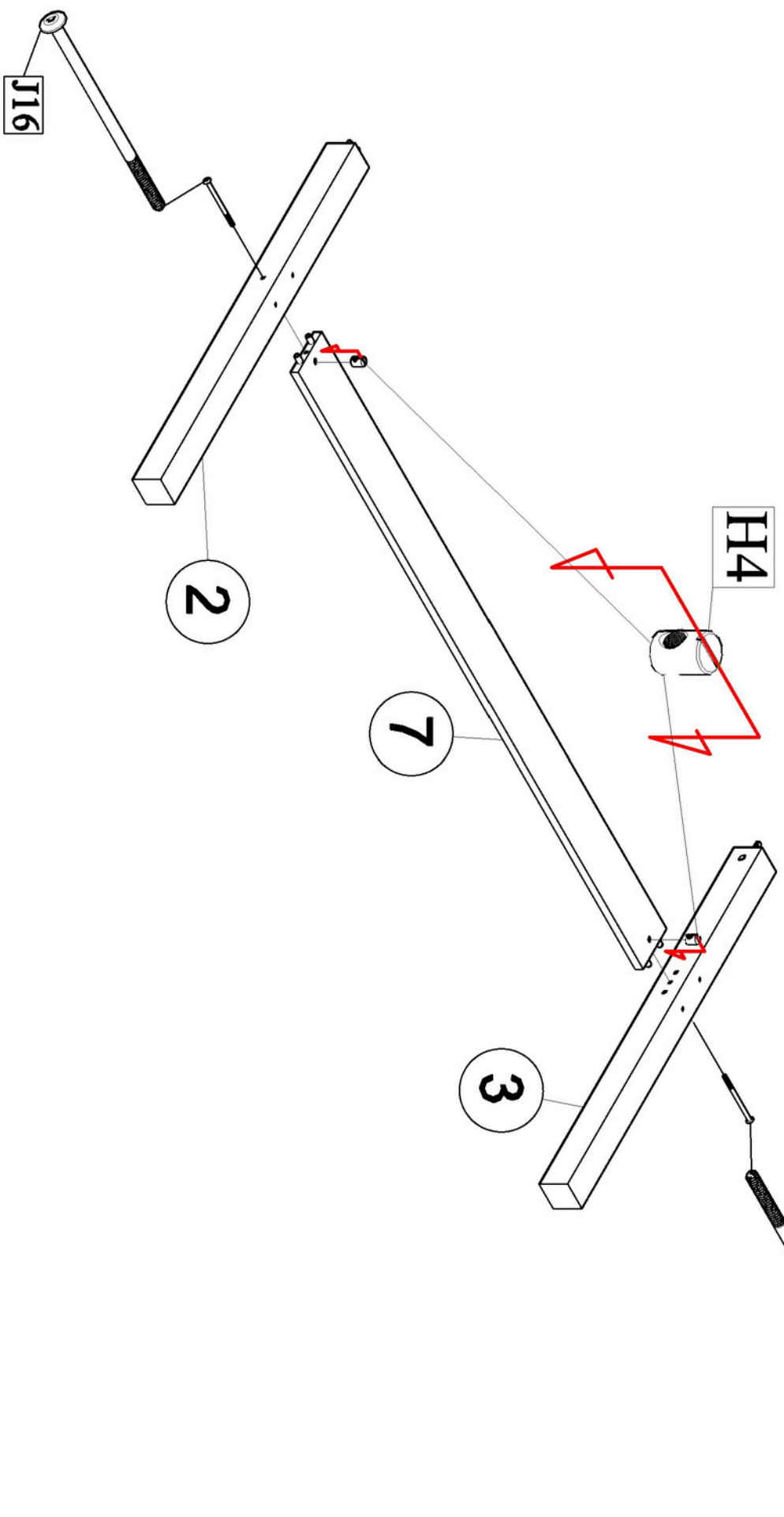


10

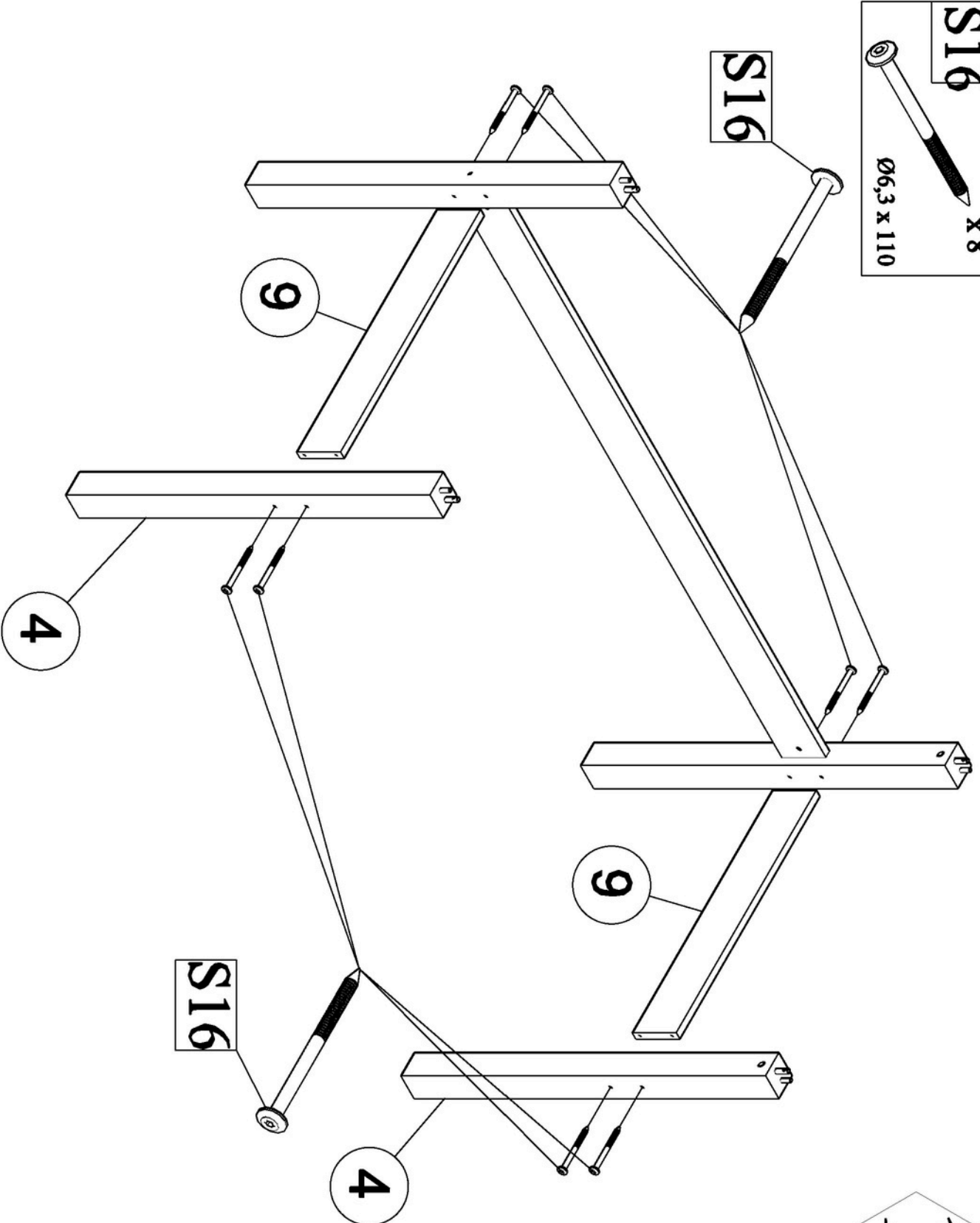
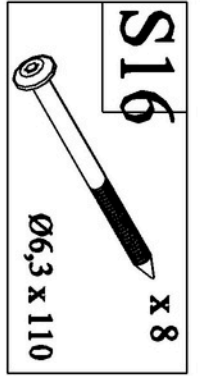




<b>H4</b>		x 2
	Ø10x 13	
<b>F2</b>		x 1
	HEX 4mm	
<b>J16</b>		x 2
	M6 x 120	
<del><b>J13</b></del>	<del></del>	<del>x 2</del>
	<del>M6 x 93</del>	




**11**



**12**

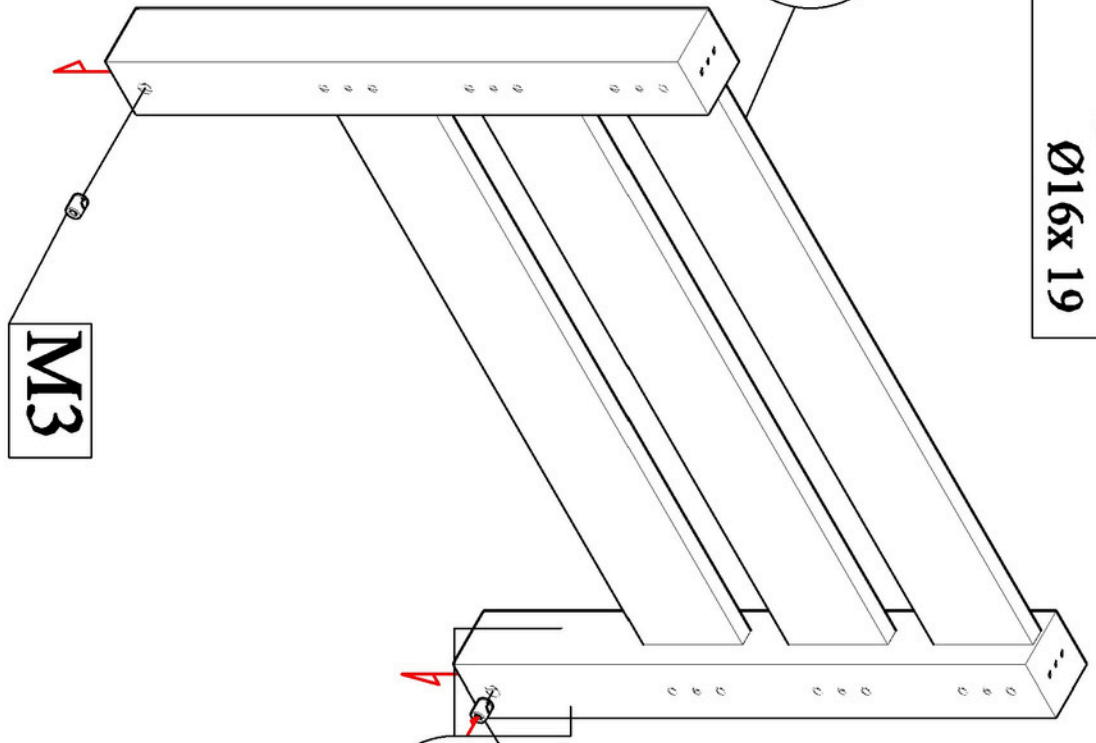
**M3**



**x 4**

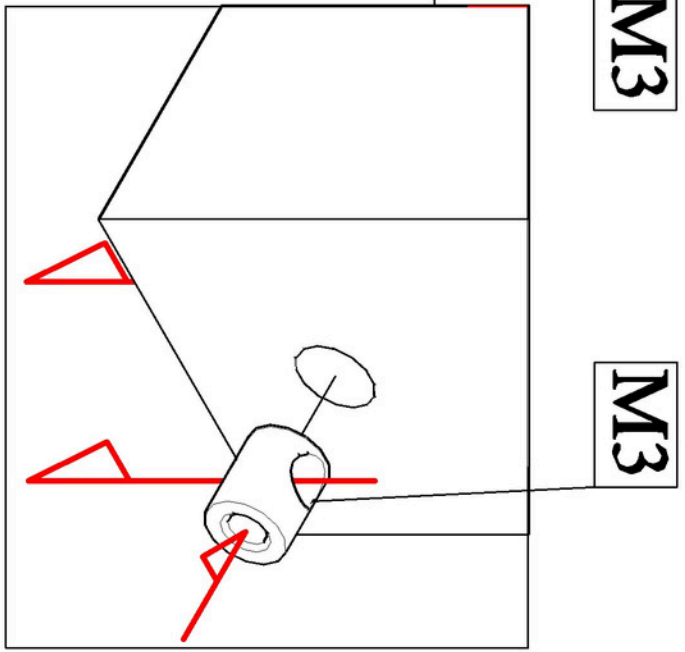
**Ø16x 19**





**1**

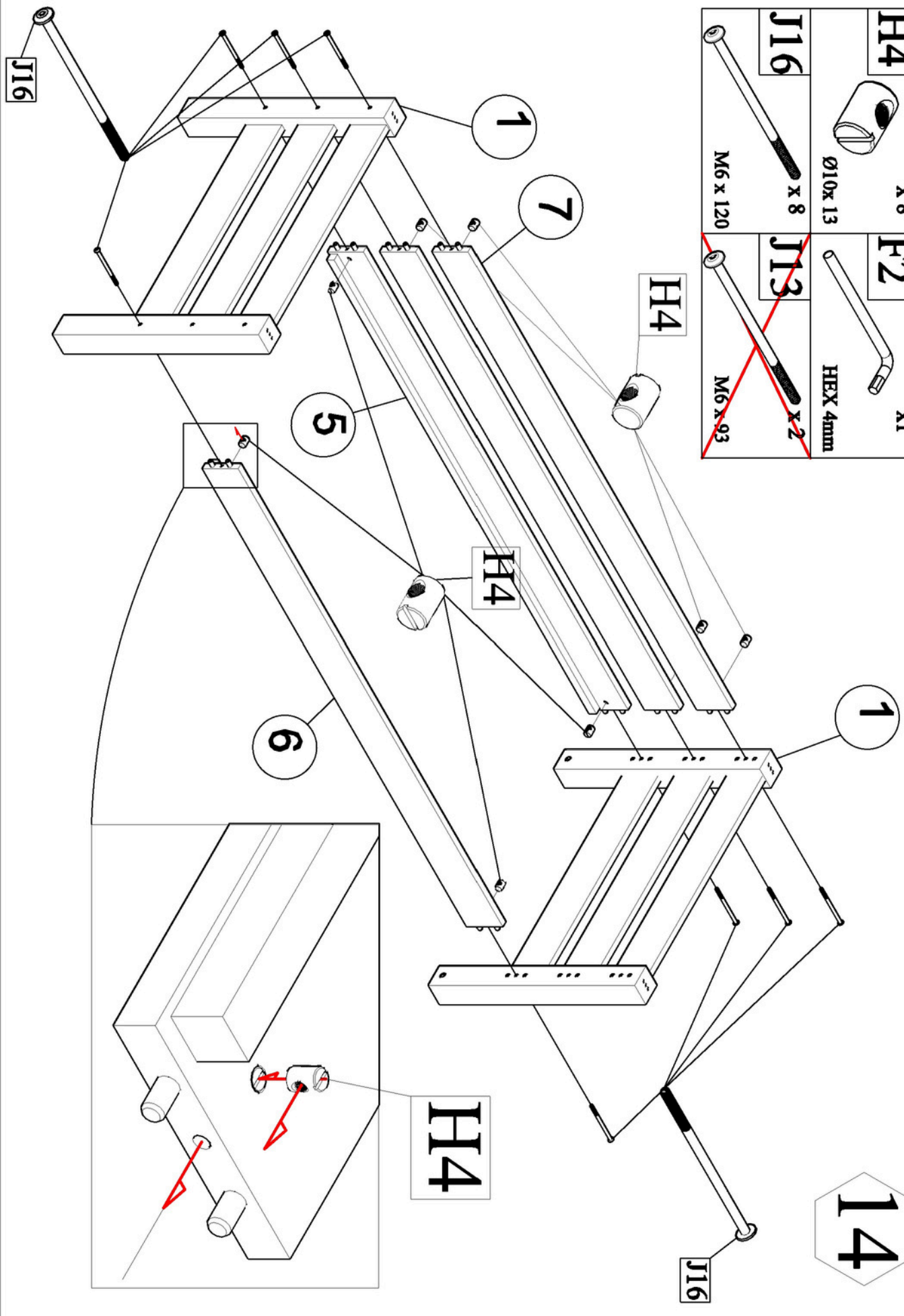


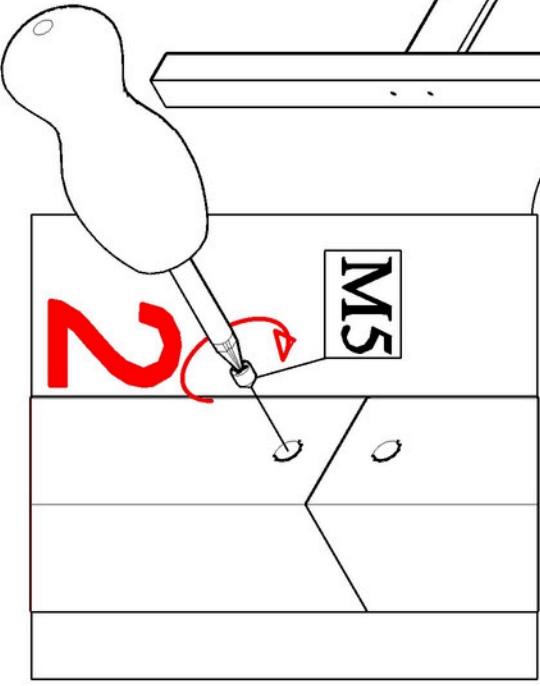
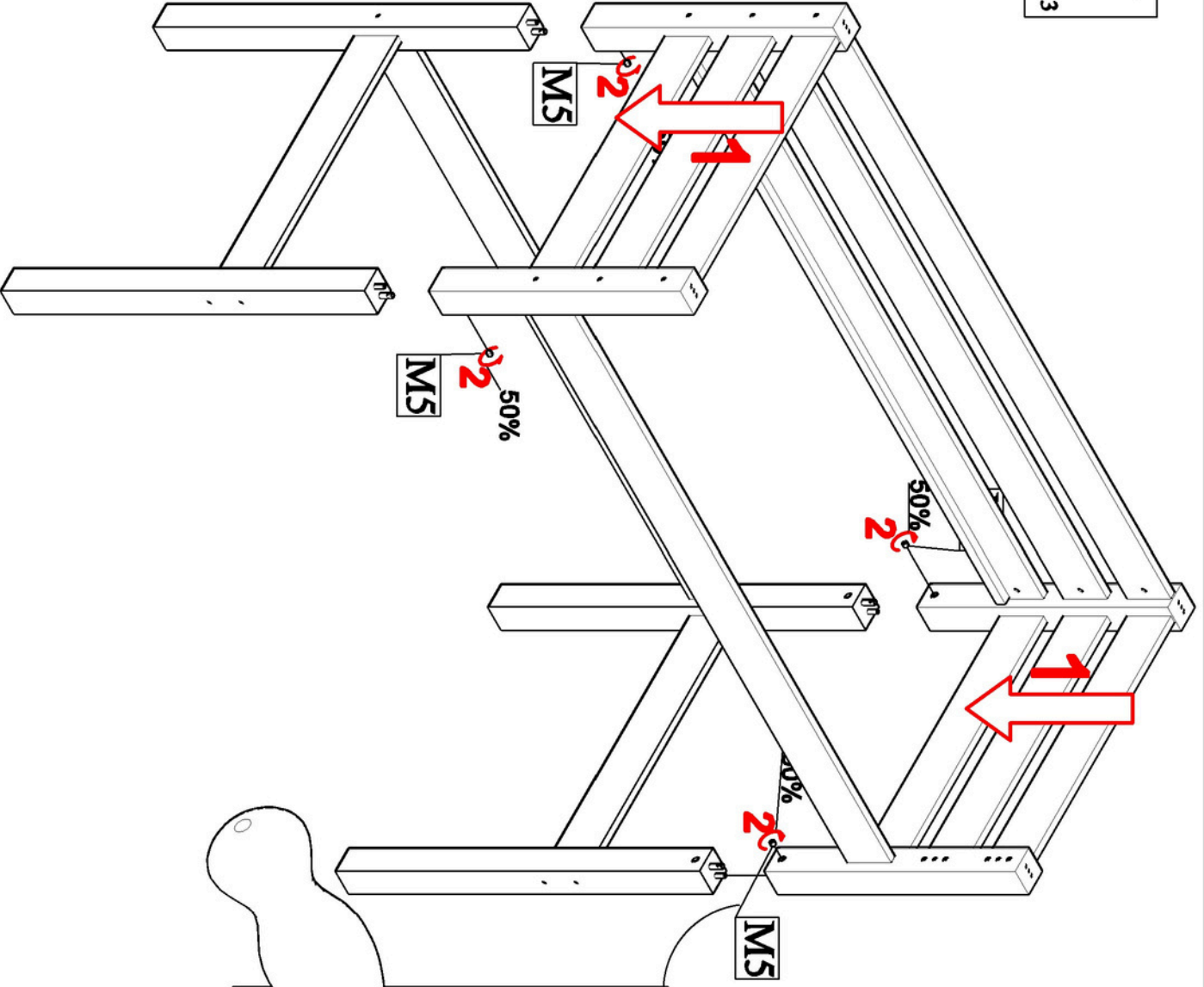
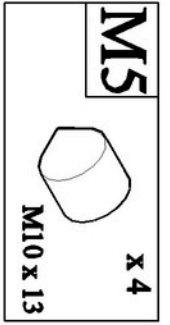
**X2**

**13**



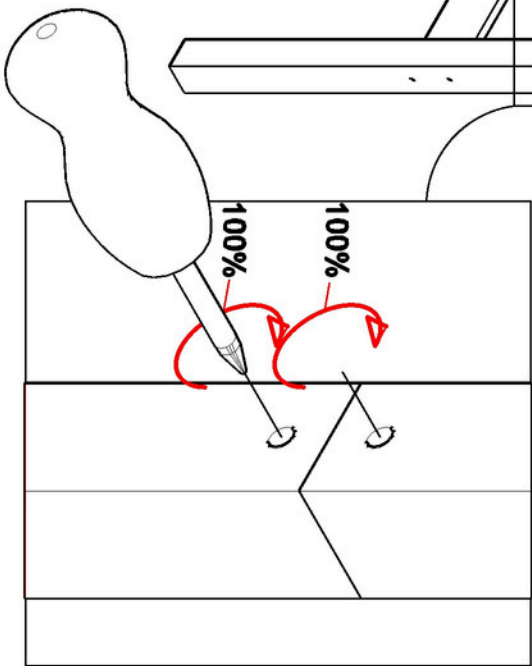
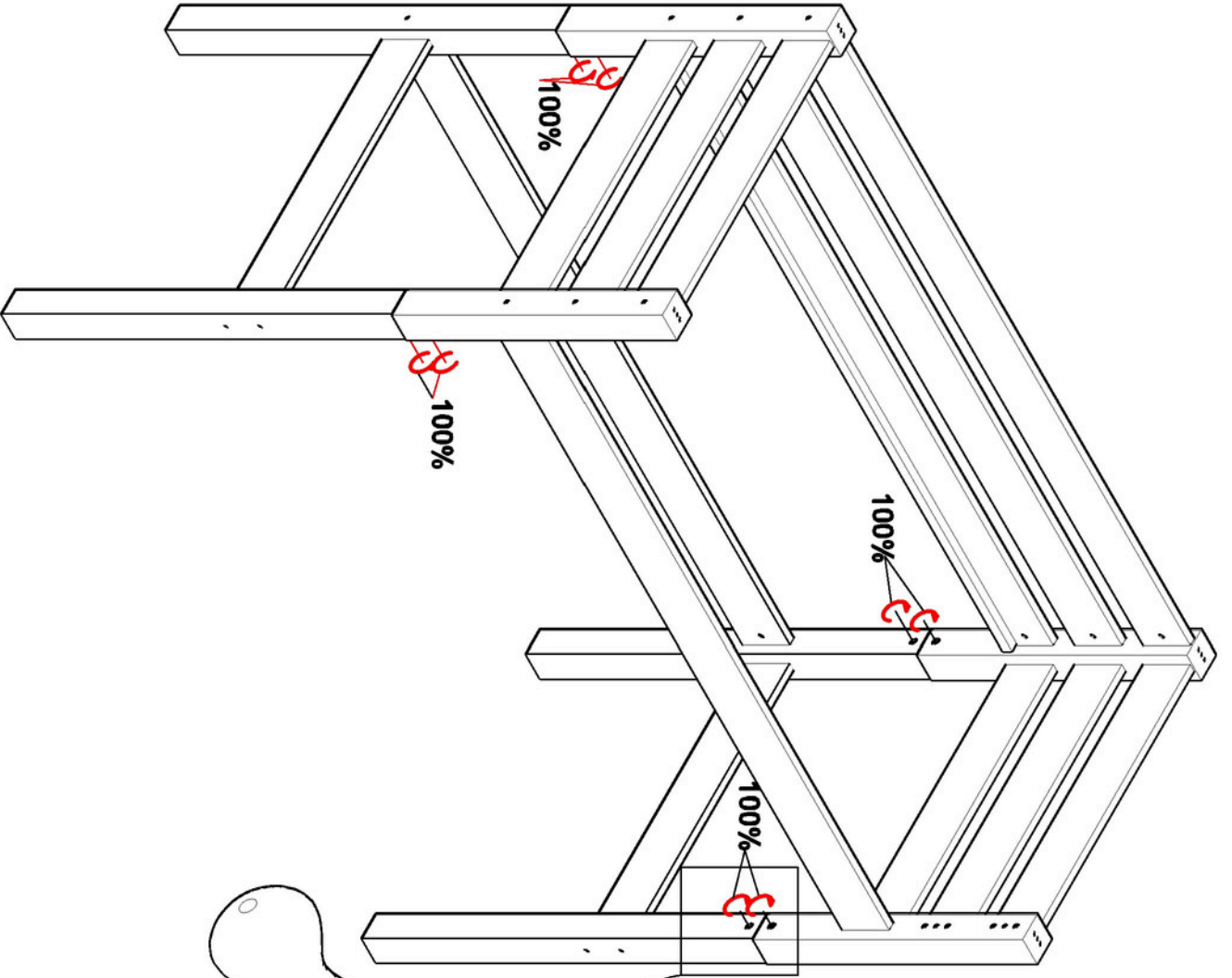
<b>H4</b>  x 8 Ø10x 13	<b>F2</b>  x1 HEX 4mm
<b>J16</b>  x 8 M6 x 120	<del><b>J13</b>  x 2 M6 x 93</del>





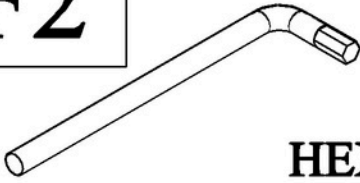
15





**F2**

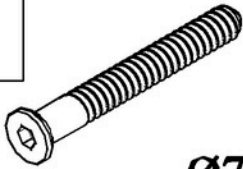
x1



HEX 4mm

**C3**

x16



Ø7 x 50

**17**

**C3**

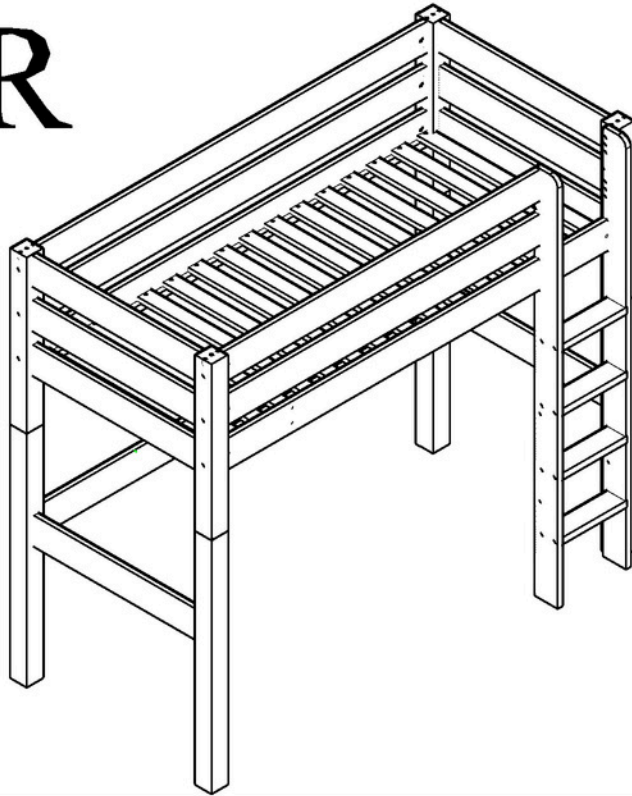
**C3**

**10**

**11**

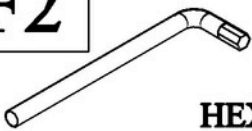
**10**

# R



**F2**

x1



HEX 4mm

**C3**

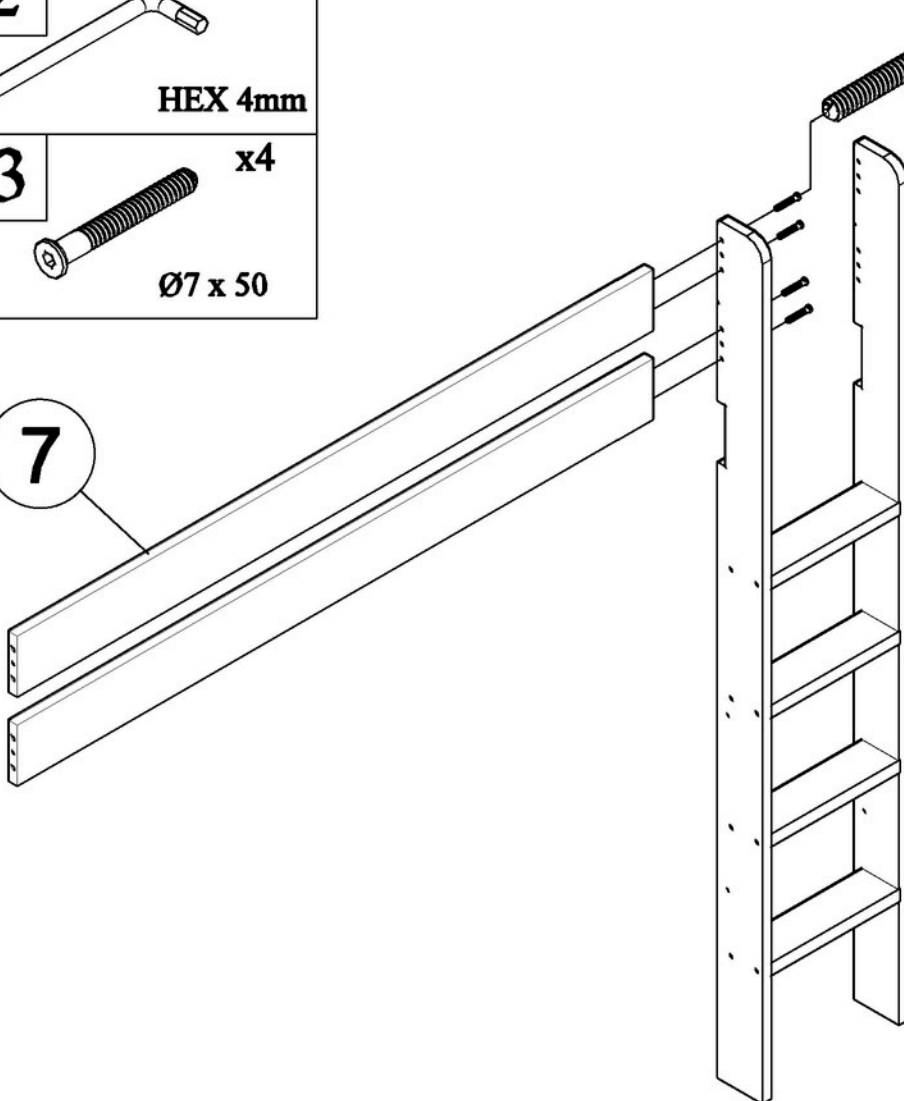
x4

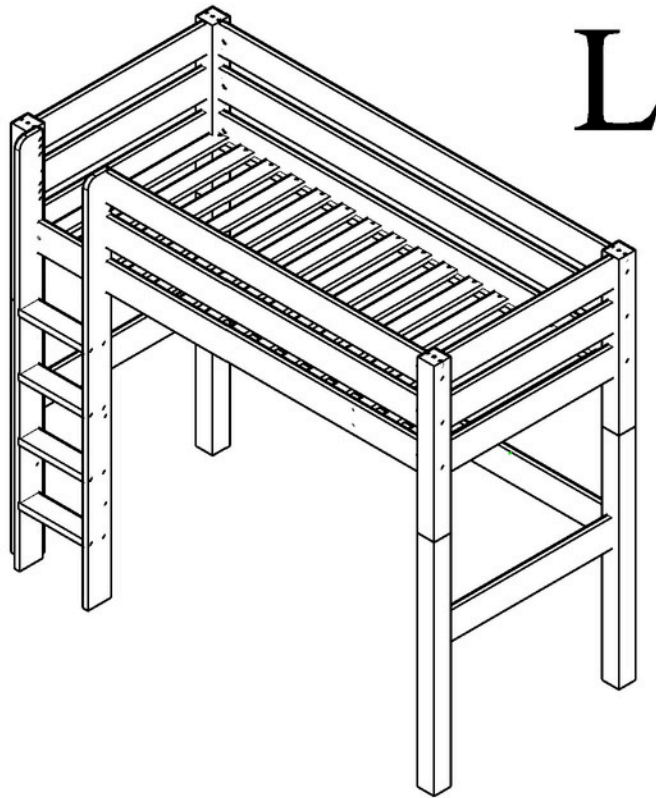


Ø7 x 50

**18 R**  
**C3**

**7**





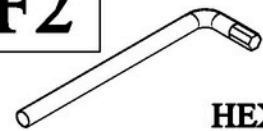
18 L

C3



F2

x1



HEX 4mm

C3

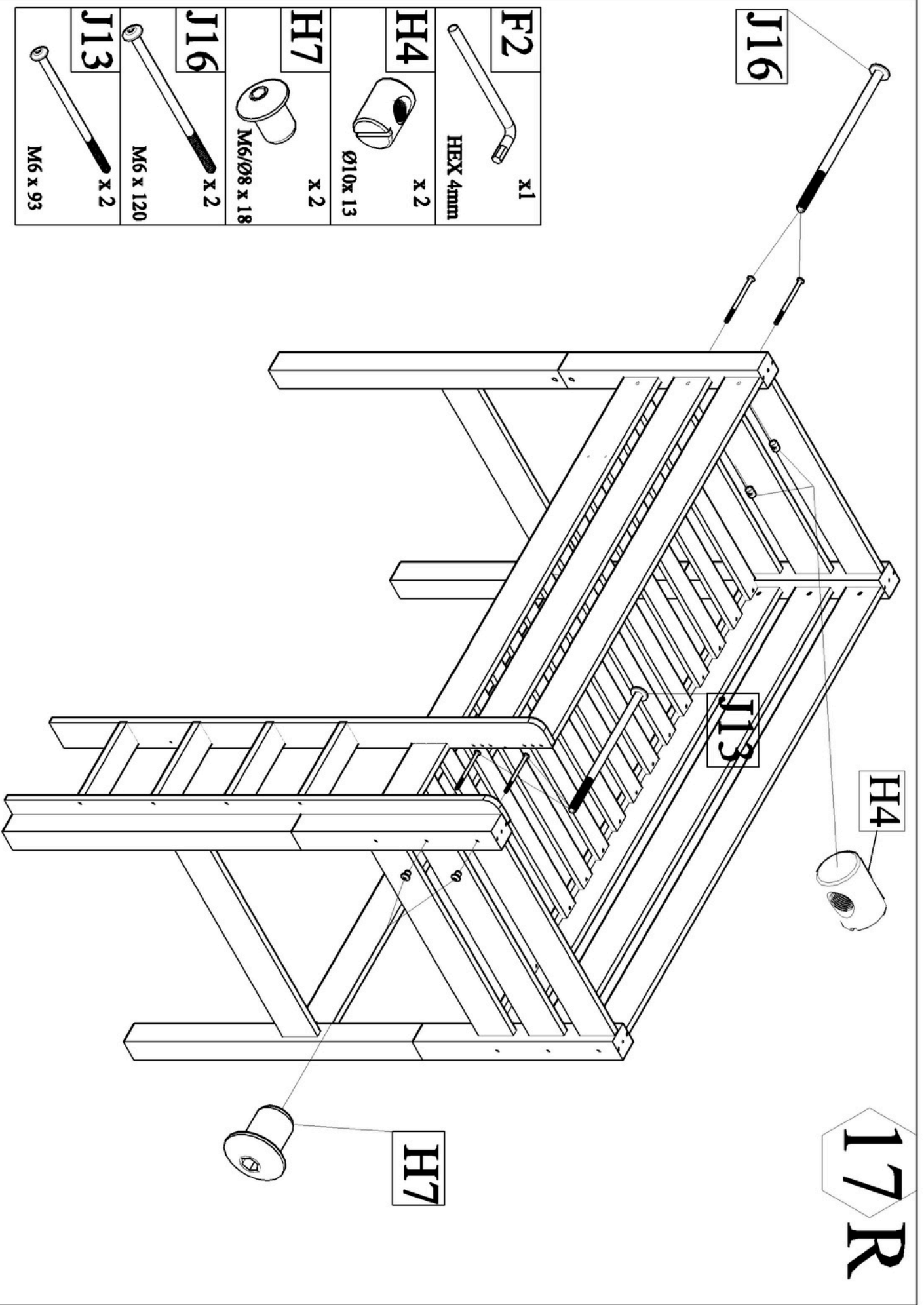
x4





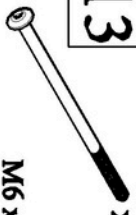


Ø7 x 50

7

# 17R



<b>F2</b> x1 HEX 4mm	
<b>H4</b> x2 Ø10x 13	
<b>H7</b> x2 M6/Ø8 x 18	
<b>J16</b> x2 M6 x 120	
<b>J13</b> x2 M6 x 93	

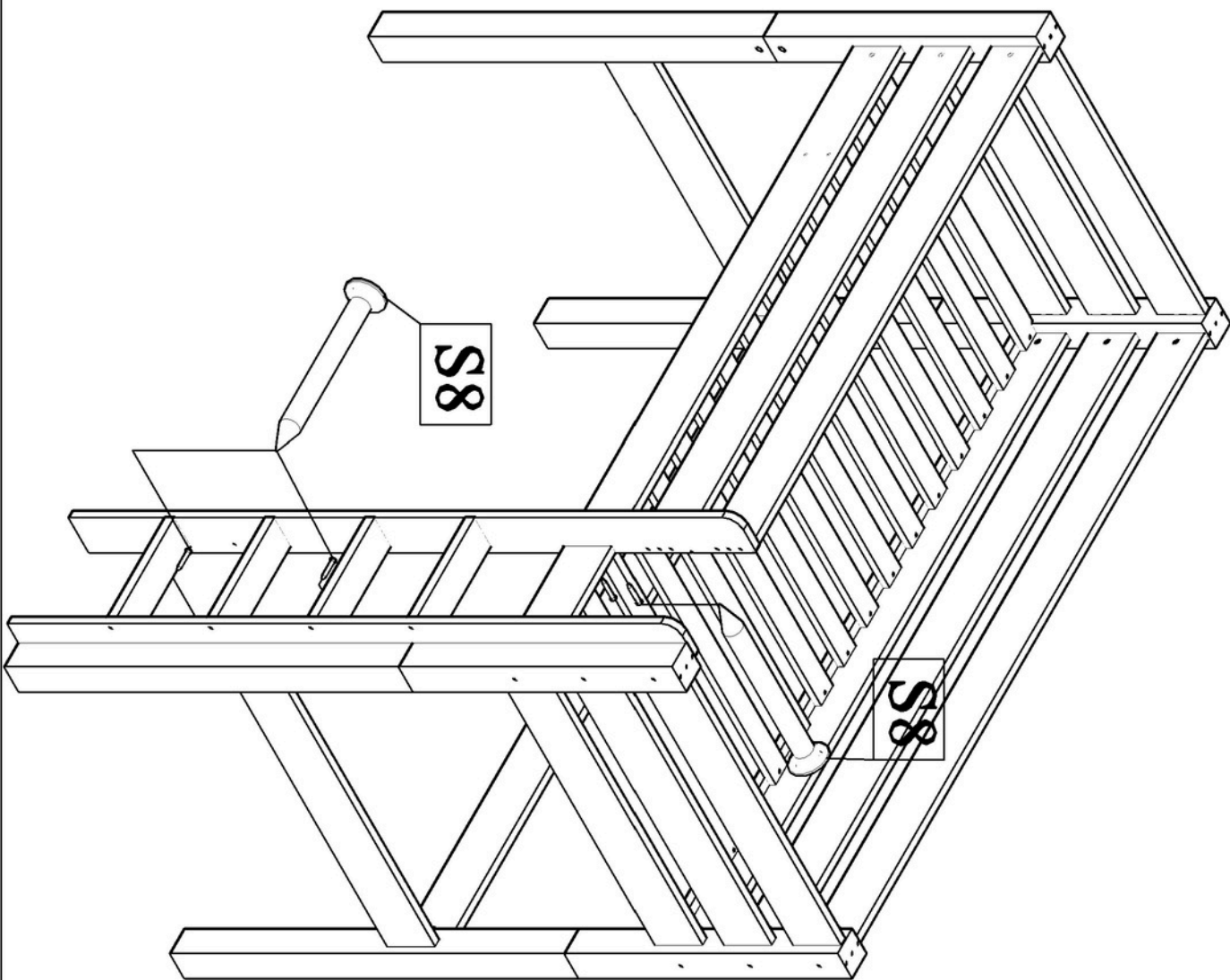


S8



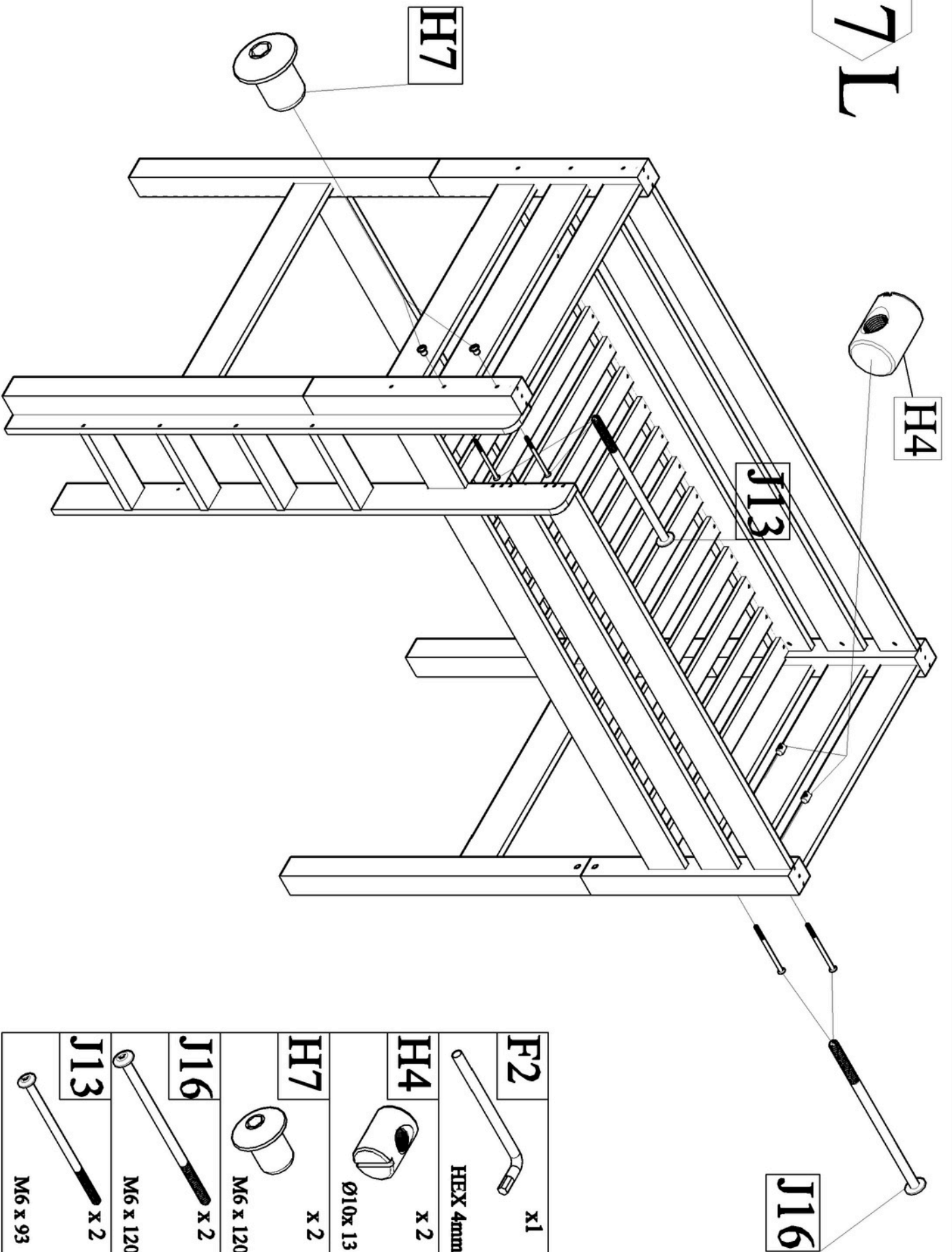
Ø4 X 60

X 4



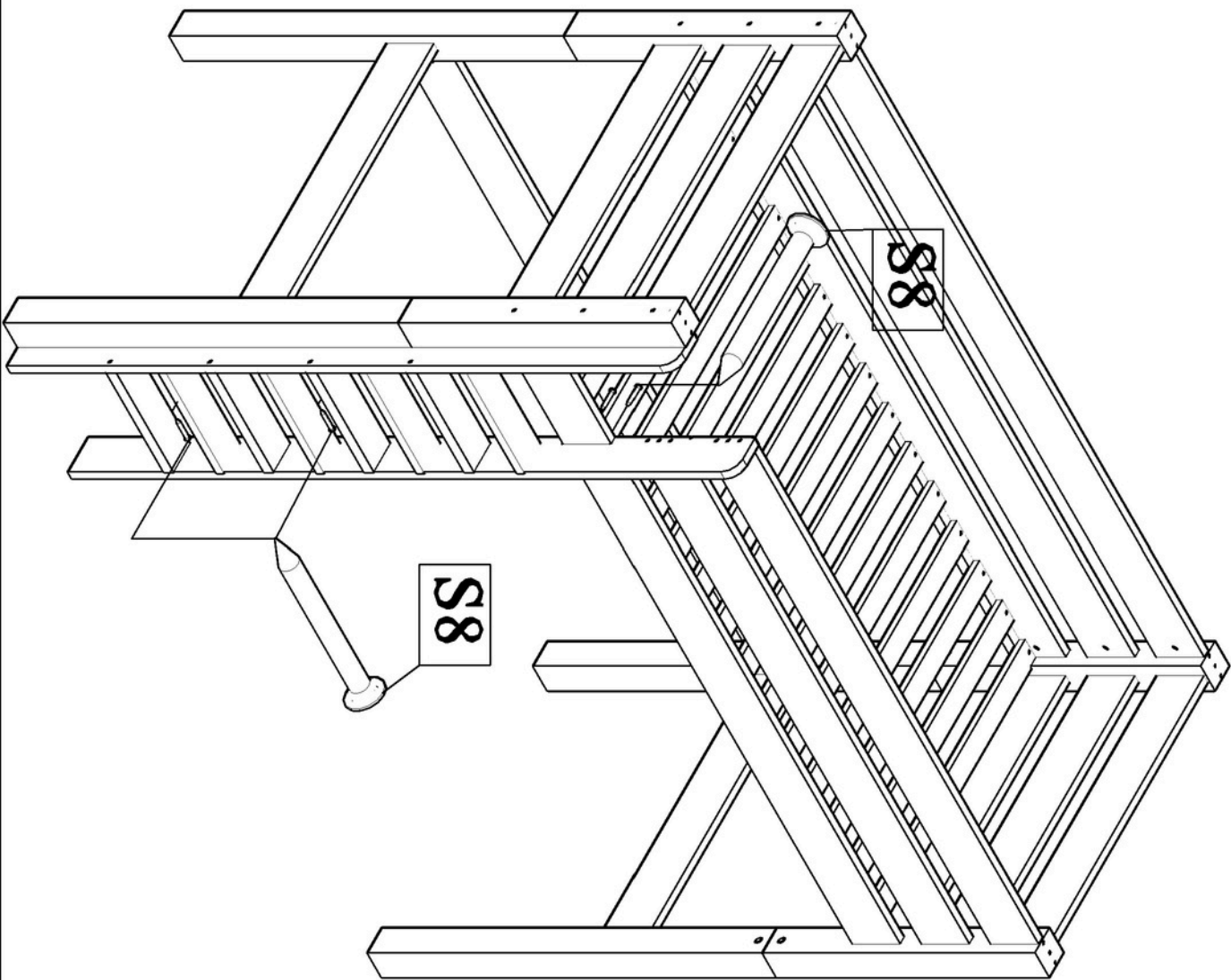
18R

# 17 L






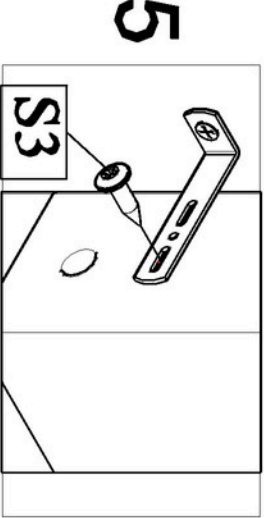
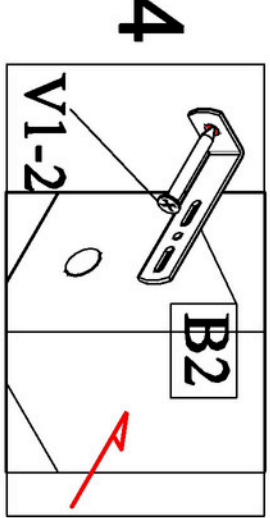
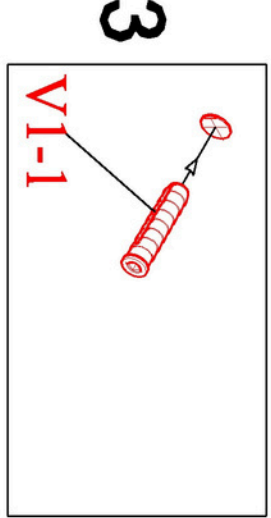
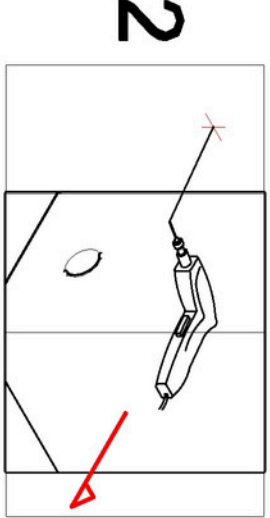
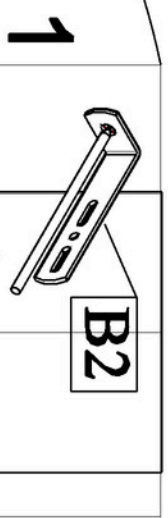
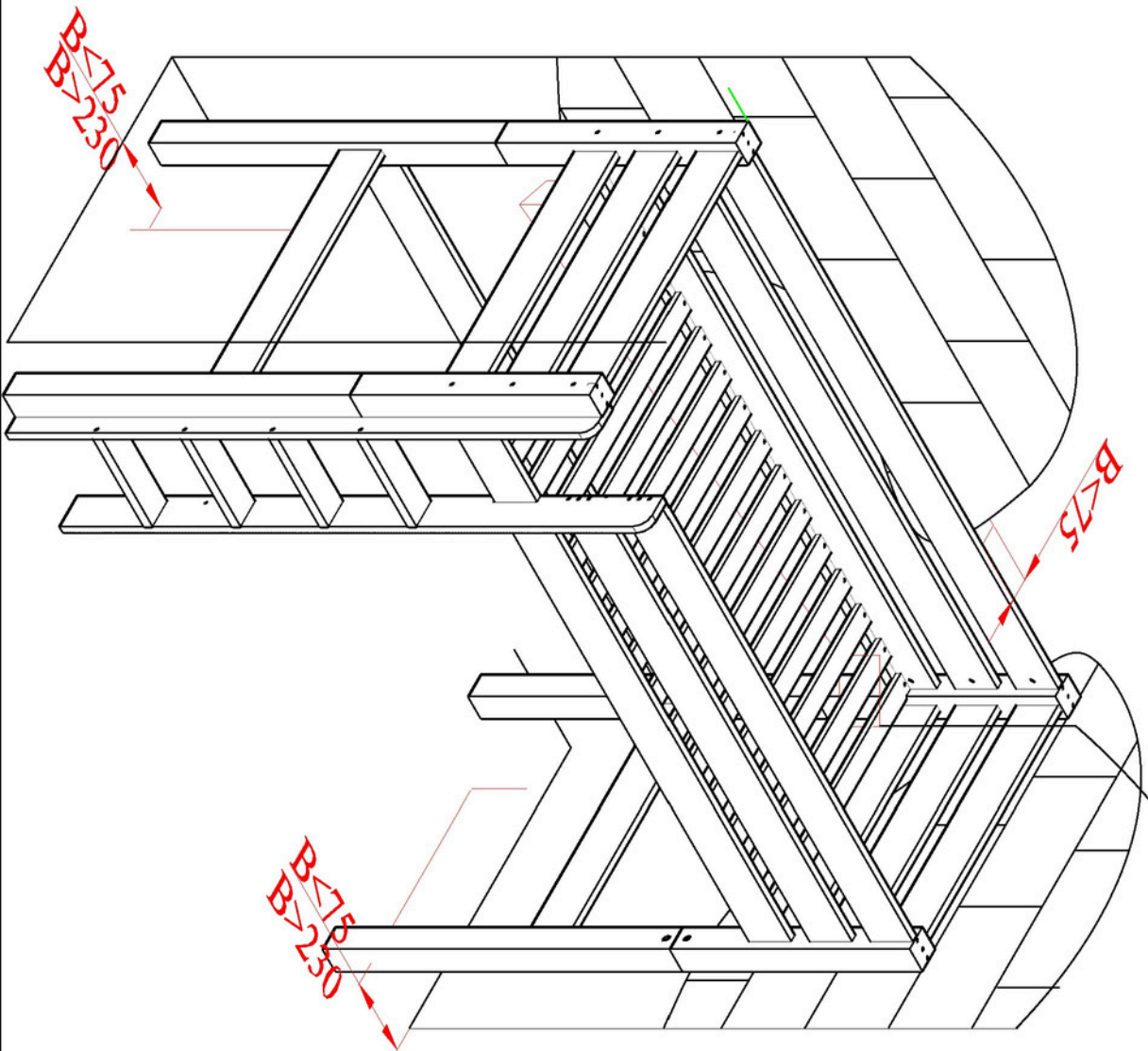
<b>F2</b> x1 HEX 4mm	<b>H4</b> x2 Ø10x13	<b>H7</b> x2 M6 x 120	<b>J16</b> x2 M6 x 120	<b>J13</b> x2 M6 x 93
----------------------------	---------------------------	-----------------------------	------------------------------	-----------------------------


18L

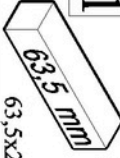


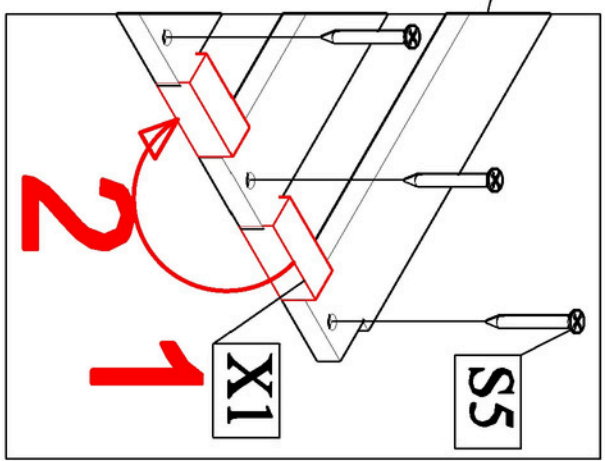
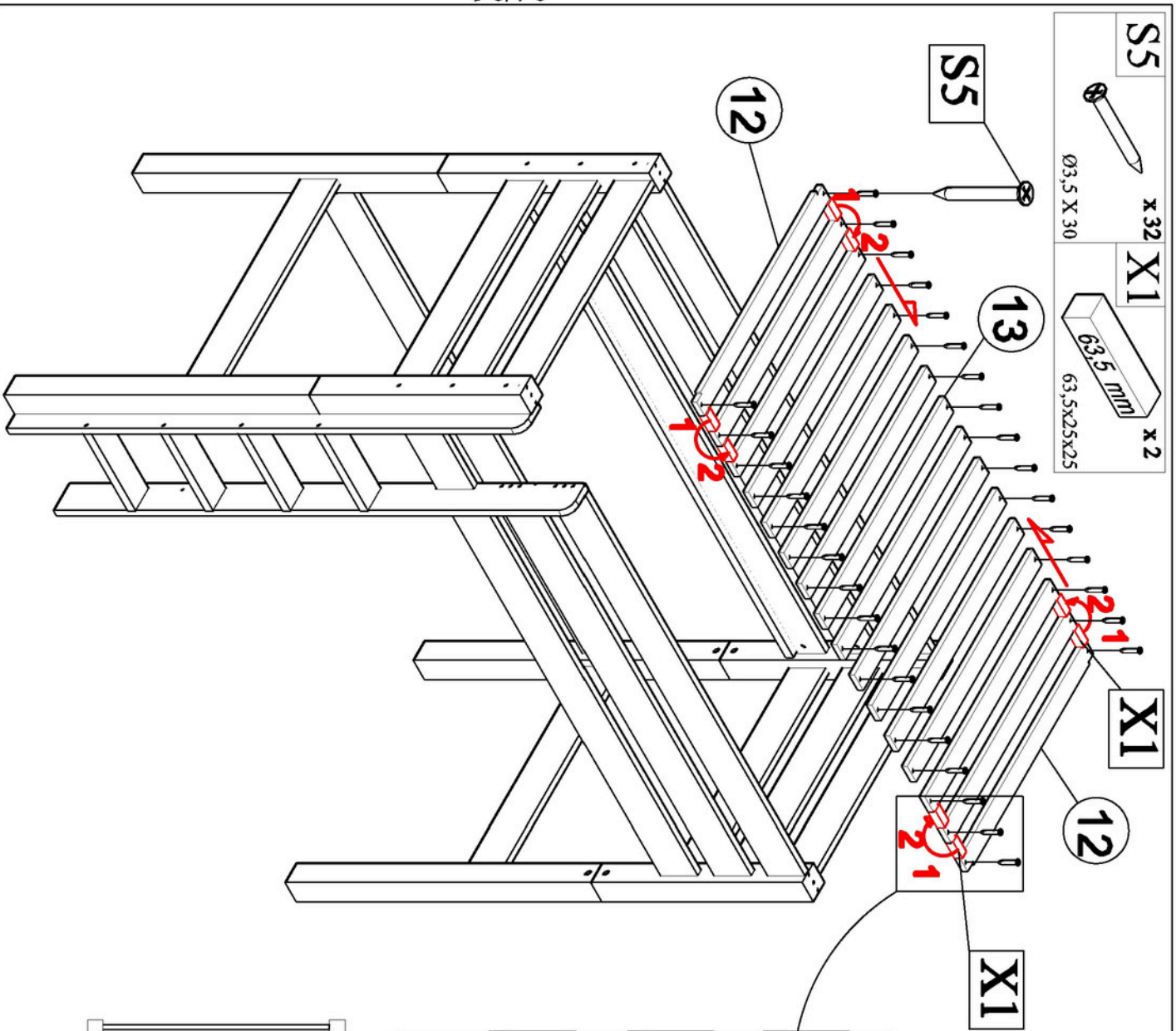
S8  
x 4  
Ø4 X 60

<b>B2</b>		x 2	<b>V1</b>		x 2	<b>S3</b>		x 2
	75 x 25 x 15		V1-1	Ø8x40/Ø8x50	V1-2		Ø3,5 x 16	



**S5**  **x 32**  
 Ø3,5 X 30

**X1**  **x 2**  
 63,5 mm  
 63,5x25x25





**MAX  
70 kg**

